



Closed position



Open position

The PDH is perfect for any work surface where power is continuously needed and space is limited. This is thanks to the rubber flap that allows for plugged in cables to exit the unit while in the closed position.

POWER OUTLETS

Choose between 24 international power outlets available in black, grey and white. Optional colours are also available. Contact your closest distributor for more information or visit: www.powerlogic.net

SWITCHES

The unit is able to house a 15A Thermal Overload Switch as well as other standard red and green switches depending on request.

CABLE EXIT

The PDH can be closed while most plug tops are still plugged in thanks to the rubber flap that allows cables to exit the closed unit. An optional brush is available instead of the rubber flap.

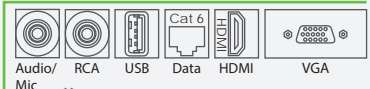
AESTHETICS

The unit has a wide variety of colours and finishes for both metal and plastic components that are sure to complement any environment. Contact your distributor for more information.

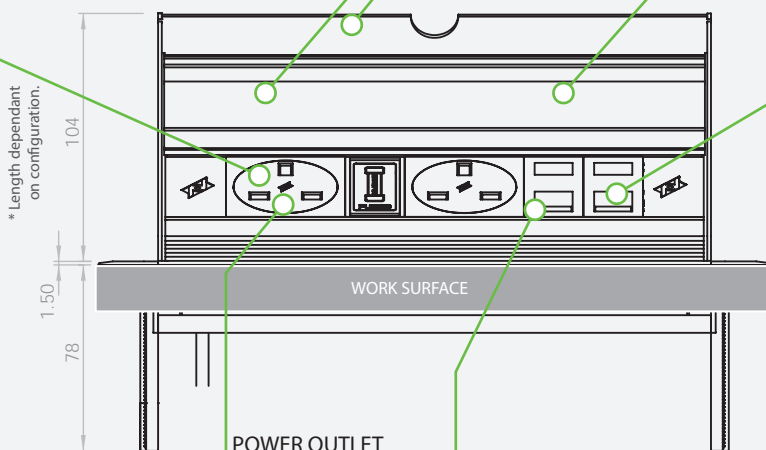
MOUNTING

The unit is simply lowered into the cut-out mounting hole and fastened from below with two, easy-to-slide-on ratchets.

PERIPHERAL OPTIONS



* USB Smart Charger available

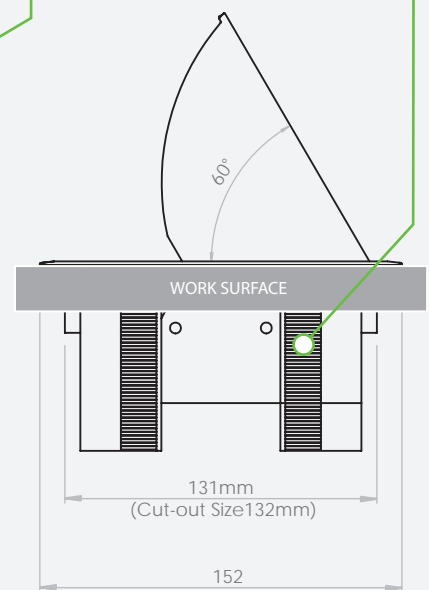


POWER OUTLET ORIENTATION

Power outlets are pre-fitted at any angle in 45° increments.

CONFIGURATIONS

The possibilities are nearly endless with a wide variety of power outlets, data/voice connections, switches and protection devices available in almost any configuration.



All measurements are in millimeters unless otherwise indicated